



MOBILE TROMMEL SCREENS



**MPB 14.44 / 18.47 / 20.55 / 20.72 / 18.47g / 20.55g / 20.55gh / 20.72g**

CHASSIS	MPB 14.44	MPB 18.47	MPB 20.55	MPB 20.72
Gross weight [kg]	11000	12800	16000	17600
Overall dimensions (length/width/height) [mm]	10690/2300/3900	10990/2550/3900	12000/2550/4000	12350/2550/4000
Maximum speed [km/h]	100	100	100	100
Brake system	Pneumatic with EBS	Pneumatic with EBS	Pneumatic with EBS	Pneumatic with EBS
ABS configuration	4S/2M	4S/2M	4S/2M	4S/2M
Brake type	drum brake	drum brake	drum brake	drum brake
Additional power supply to EBS module	+	+	+	+
Type of mounting attachment	mechanical	mechanical	mechanical	mechanical
Number of wheels	4	4	4	4
Tyre dimensions	435/50 R19.5 (160J)	435/50 R19.5 (160J)	435/50 R19.5 (160J)	435/50 R19.5 (160J)
Axle manufacturer	ATW/ADR	ATW/ADR	ATW/ADR	ATW/ADR
Number of axles	2	2	2	2
Maximum axle load [kg]	9000	9000	9000	9000
Front support legs	2 mechanical	2 mechanical	2 mechanical	2 mechanical
Rear support legs	1 hydraulic	1 hydraulic	1 hydraulic	1 hydraulic
Road lighting voltage [V]	24 (12)	24 (12)	24 (12)	24 (12)
Type of road lights	LED	LED	LED	LED
Drawbar eye diameter [mm]	50	50	50	-
Drawbar eye height [mm]	950 (±110)	950 (±110)	950 (±110)	-
Coupling bolt diameter (king pin)	-	-	-	2"
Height of king pin coupling	-	-	-	1150
Cutting barriers	+	+	+	+
Mudguards	steel	steel	steel	steel
Mud flaps	+	+	+	+
Warning signs	+	+	+	+
Wheel chocks	+	+	+	+
Contour markings	+	+	+	+
Rotating warning beacon	+	+	+	+
Tool box (1 piece: - 50l)	+	+	+	+
Water container (30l) with a soap dispenser	-	-	-	+
Detachable rear bumper	+	+	+	+
Rear conveyor belt speed control	+	+	+	+
Side conveyor belt speed control	+	+	+	+

TRACKED CHASSIS	MPB 18.47g	MPB 20.55g	MPB 20.55gh	MPB 20.72g
Gross [kg]	14000	20000	20840	20300
Overall dimensions (length/width/height) [mm]	9530/2900/3420	10610/2910/3450	11620/3100/3500	12400/2900/3650
Maximum speed [km/h]	1	1	1	1
Remote control	radio	radio	radio	radio
Approach angle	16 / 11	16 / 11	16 / 11	16 / 11

**Brand, displacement, Exhaust, NOM power kW (HP) / rpm / MAX power kW (HP) / rpm**

MPB 14.44	MPB 18.47	MPB 20.55	MPB 20.72	MPB 18.47g	MPB 20.55g	MPB 20.55gh	MPB 20.72g
Caterpillar, 2.2 L, Stage 3A, 32 (44) / 2200 / 36,4 (49) / 2800	Caterpillar, 3.4 L, EU Stage 3B, 55,4 (75) / 2200	Caterpillar, 4.4 L, EU Stage 3B, 72 (98) / 1600 / 74,5 (101) / 2200	Deutz, 3.6 L, EU Stage 3B, 82 (111) / 2000 / 90 (122) / 2300	Caterpillar, 3.4 L, EU Stage 3B, 55,4 (75) / 2200	Caterpillar, 4.4 L, EU Stage 3B, 72 (98) / 1600 / 74,5 (101) / 2200	Caterpillar, 4.4 L, EU Stage 3B, 72 (98) / 1600 / 74,5 (101) / 2200	Deutz, 3.6 L, EU Stage 3B, 82 (111) / 2000 / 90 (122) / 2300
Deutz, 2.9 L, EU Stage 3A, 32 (44) / 2200 / 36,4 (49) / 2600	Deutz, 2.9 L, EU Stage 3B, 55,4 (75) / 2200 / 55,4 (75) / 2600	Deutz, 3.6 L, EU Stage 3B, 68 (92) / 1600 / 74,4 (101) / 2300	Caterpillar, 3.4 L, EU Stage IV, 90 (122) / 2000 / 90 (122) / 2200	Deutz, 2.9 L, EU Stage 3B, 55,4 (75) / 2200 / 55,4 (75) / 2600	Deutz, 3.6 L, EU Stage 3B, 68 (92) / 1600 / 74,4 (101) / 2300	Deutz, 3.6 L, EU Stage 3B, 68 (92) / 1600 / 74,4 (101) / 2300	Caterpillar, 3.4 L, EU Stage IV, 90 (122) / 2000 / 90 (122) / 2200
-	Deutz, 2.9 L, EU Stage V, 55,4 (75) / 2200 / 55,4 (75) / 2600	Caterpillar, 3.4 L, EU Stage IV, 81,1 (110) / 1600 / 90 (122) / 2200	Deutz, 3.6 L, EU Stage IV, 90 (122) / 2000 / 90 (122) / 2200	Deutz, 2.9 L, EU Stage V, 55,4 (75) / 2200 / 55,4 (75) / 2600	Caterpillar, 3.4 L, EU Stage IV, 81,1 (110) / 1600 / 90 (122) / 2200	Caterpillar, 3.4 L, EU Stage IV, 81,1 (110) / 1600 / 90 (122) / 2200	Deutz, 3.6 L, EU Stage IV, 90 (122) / 2000 / 90 (122) / 2200
-	Caterpillar, C2.8T, EU Stage V, 44 (60) / 2500	Deutz, 3.6 L, EU Stage IV, 80,4 (109) / 1600 / 90 (122) / 2200	-	Caterpillar, C2.8T, EU Stage V, 44 (60) / 2500	Deutz, 3.6 L, EU Stage IV, 80,4 (109) / 1600 / 90 (122) / 2200	Deutz, 3.6 L, EU Stage IV, 80,4 (109) / 1600 / 90 (122) / 2200	-
ABB, el., 30 (41) / 1450	ABB, el., 30 (41) / 1450	ABB, el., 55 (75) / 1450	ABB, el., 55 (75) / 1450	-	-	-	-
ABB, el., 30 (41) / 1450	ABB, el., 45 (61) / 1450	-	-	-	-	-	-

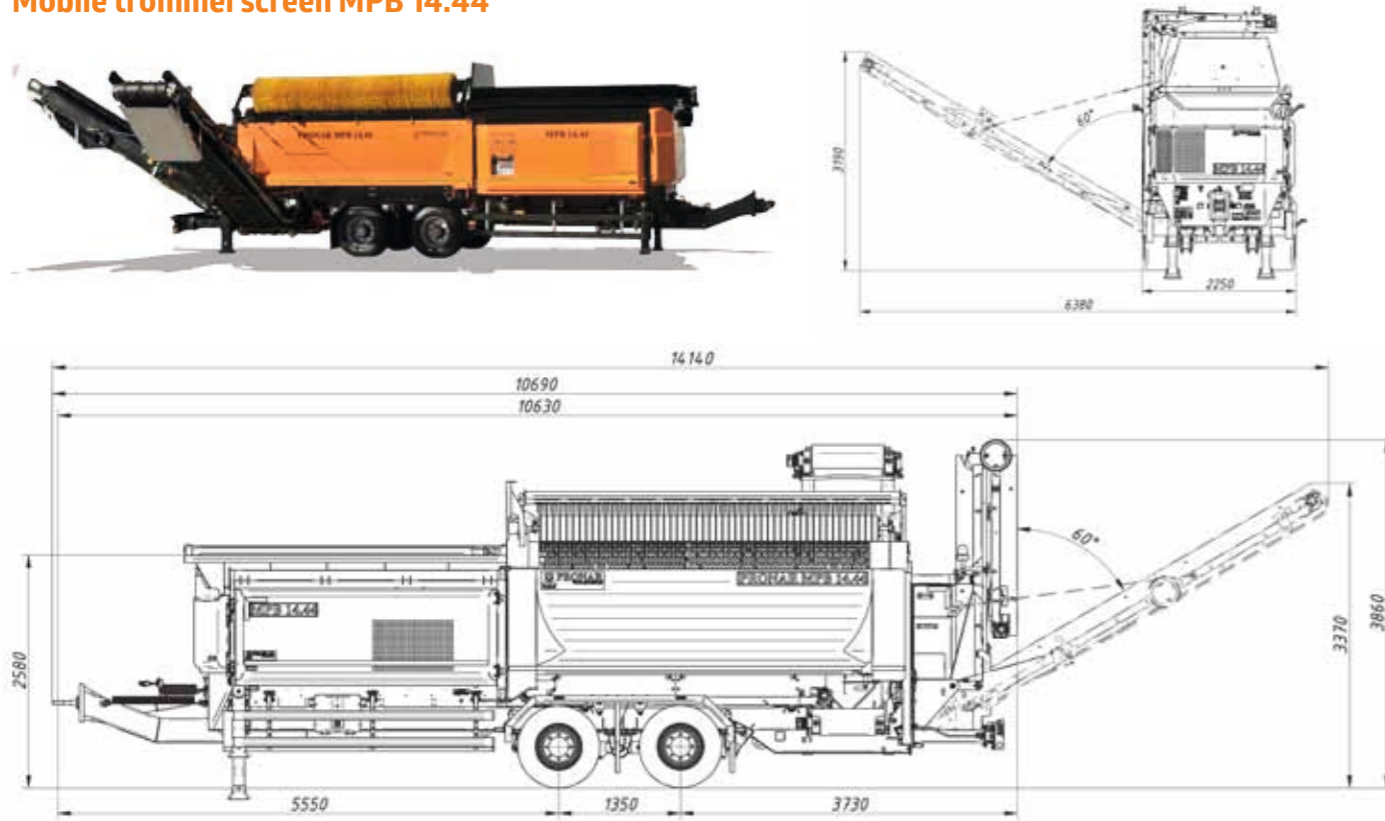
MATERIAL TRANSPORT	MPB 14.44	MPB 18.47	MPB 20.55	MPB 20.72	MPB 18.47g	MPB 20.55g	MPB 20.55gh	MPB 20.72g
Trommel dimensions (length/width) [mm]	4400/1400	4700/1800	5500/2000	7200 / 2000	4700/1800	5500/2000	5500/2000	7200 / 2000
Trommel rotational speed max[rpm]	23	23	24	23	23	20	20	19
Effective sieve surface [m²]	16	22,1	29,8	40,6	22,1	29,8	29,8	40,6
In-feed hopper dimensions (length/width) [mm]	3560/ 1850	3560 / 2120	3900 / 2230	3900 / 2230	3560 / 2120	3900 / 2230	3900 / 2230	3900 / 2230
Loading height [mm]	2600	2800	2850	2730	2660	2700	2700	2830
In-feed hopper capacity [m³]	3,3	5	6	6	5	6	6	6
Dimensions of exterior side conveyor (length/width) [mm]	5200/800	5200/800	4900/1000	4900 / 1000	5200/800	4900/1000	6000/1000	4900 / 1000
Dimensions of exterior rear conveyor (length/width) [mm]	5200/800	5200/800	4900/1000	4900 / 1000	5200/800	4900/1000	6000/1000	4900 / 1000
Width of interior longitudinal conveyor [mm]	1000	1300	1300	1300	1300	1300	1300	1300
Width of interior transverse conveyor [mm]	600	600	800	800	600	800	800	800
Control voltage [V]	12	12	12	12	12	12	12	12
Central lubrication system	+	+	+	+	+	+	+	+
Rear conveyor belt speed regulation	+	+	+	+	+	+	+	+
Side conveyor belt speed regulation	+	+	+	+	+	+	+	+

**ADDITIONAL AND OPTIONAL EQUIPMENT**

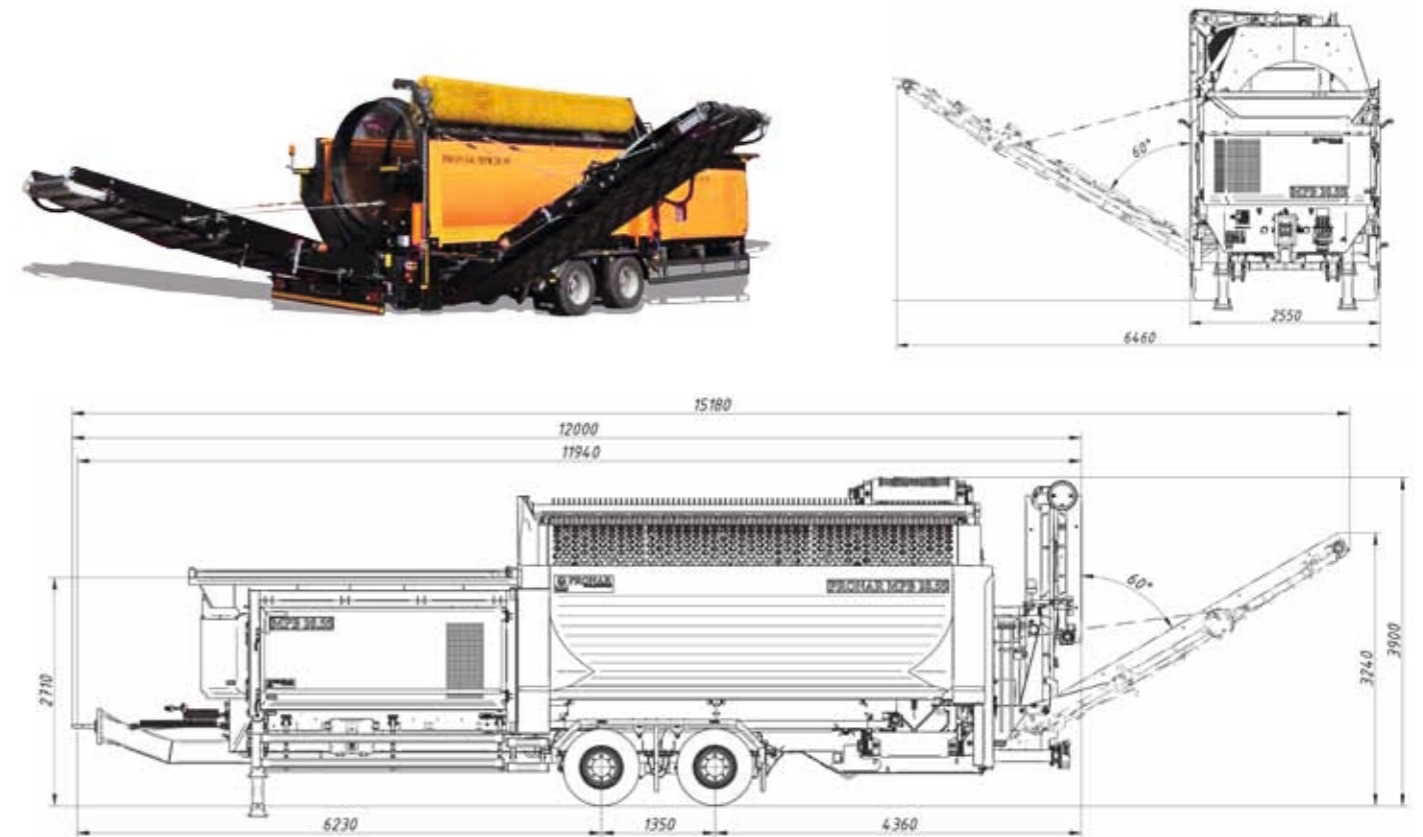
	MPB 14.44	MPB 18.47	MPB 20.55	MPB 20.72	MPB 18.47g	MPB 20.55g	MPB 20.55gh	MPB 20.72g
Magnetic Roller - rear conveyor	+	+	+	+	+	+	+	+
Magnetic Roller - side conveyor	+	+	+	+	+	+	+	+
Air separator	-	+	+	+	+	+	-	+
Stone Grid above charging hopper	+	+	+	+	+	+	+	+
Chute near In-Feed hopper	+	+	+	+	+	+	+	+
Side conveyor cleaning brush	+	+	+	+	-	-	-	+
Rear conveyor high guards	+	+	+	+	-	-	-	+
Rear conveyor 3m	+	+	+	+	+	+	-	-
Side conveyor 3m - left side	-	-	+	+	-	+	-	+
Side conveyor 3m	-	-	+	+	+	+	-	+
Ball attachment	+	+	+	-	n.a	n.a	n.a	n.a
Hydraulically controlled front support legs	+	+	+	-	n.a	n.a	n.a	n.a
Screen hole size	according to customer's requirements							
Sieve wall thickness	according to customer's requirements							
Drawbar eye diameter ø40	+	+	-	-	n.a	n.a	n.a	n.a
Drawbar eye diameter ø57 (Swedish standard)	+	+	+	-	n.a	n.a	n.a	n.a
Side security guards	+	+	+	+	+	+	+	+
Cleanfix for motor cooler	+	+	+	+	+	+	+	+
Cleanfix for hydraulic oil cooler	+	+	+	+	+	+	+	+
In-Feed hopper load/pressure sensor	+	+	+	+	+	+	+	+
Water container (30l) with a soap dispenser	+	+	+	-	+	+	+	+
Work area light system (3 points)	+	+	+	+	+	+	+	+
Steel bike catchers	+	+	+	-	n.a	n.a	n.a	n.a
Additional hydraulic pumps (20 l/min, 40 l/min)	-	-	+	+	+	+	+	+



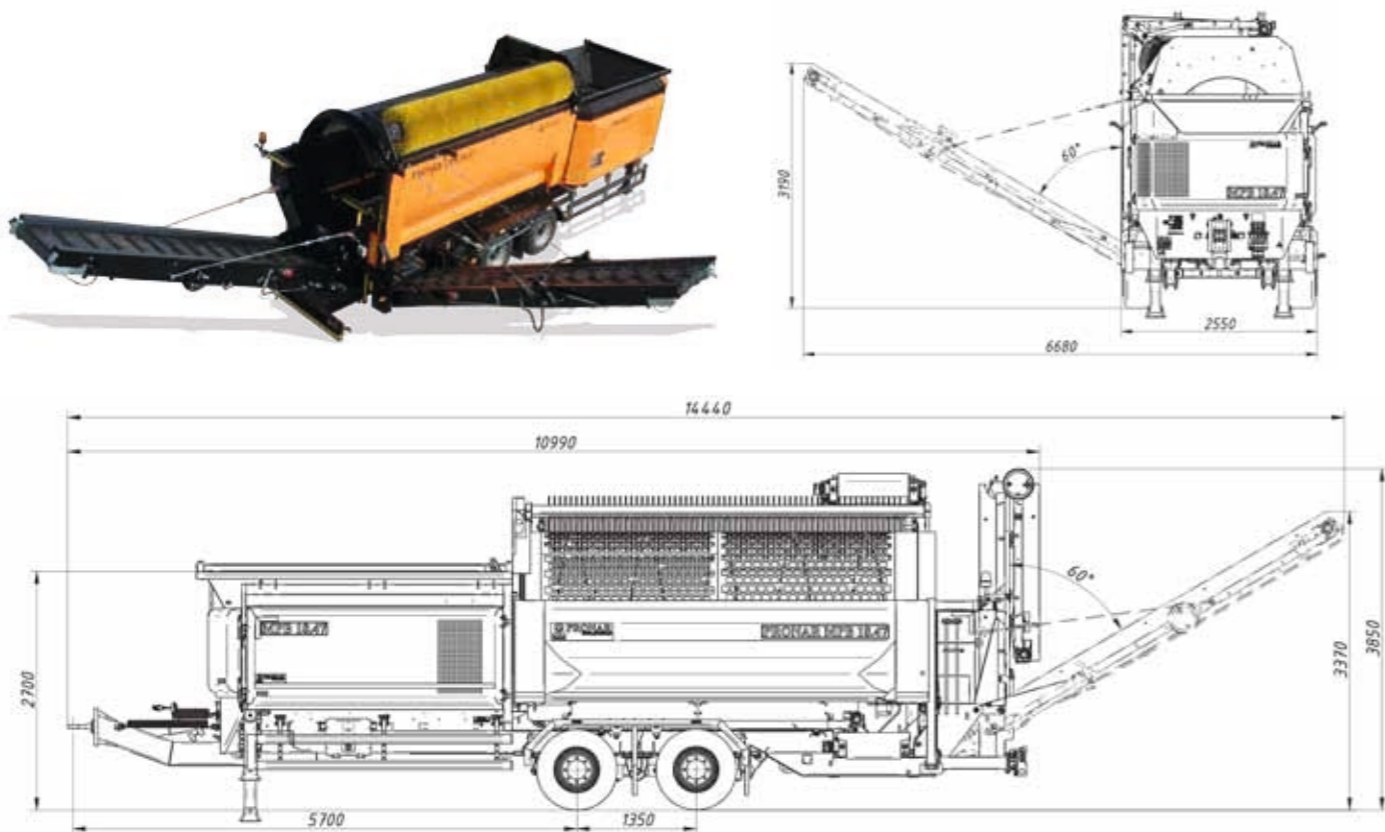
**Mobile trommel screen MPB 14.44**



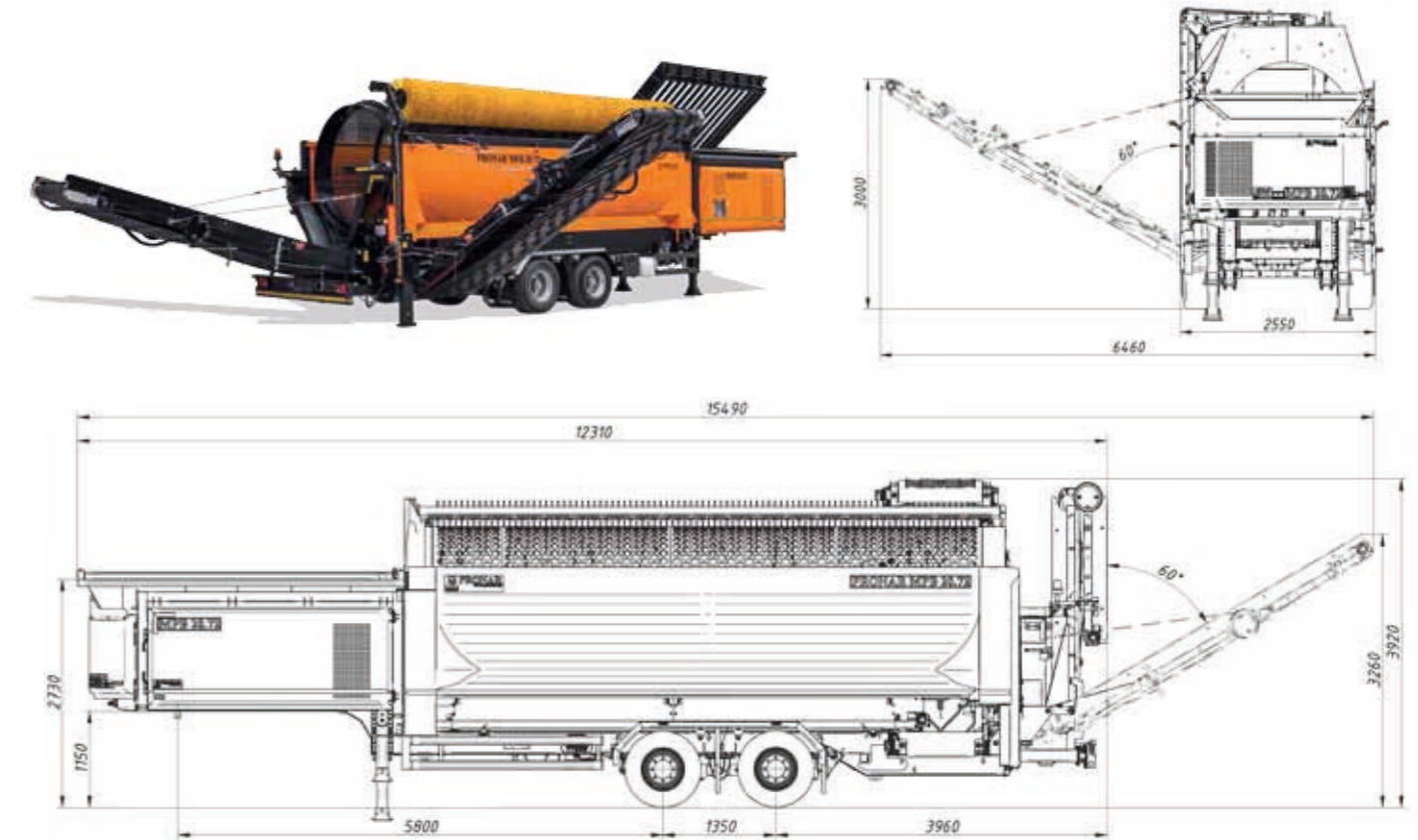
**Mobile trommel screen MPB 20.55**



**Mobile trommel screen MPB 18.47**



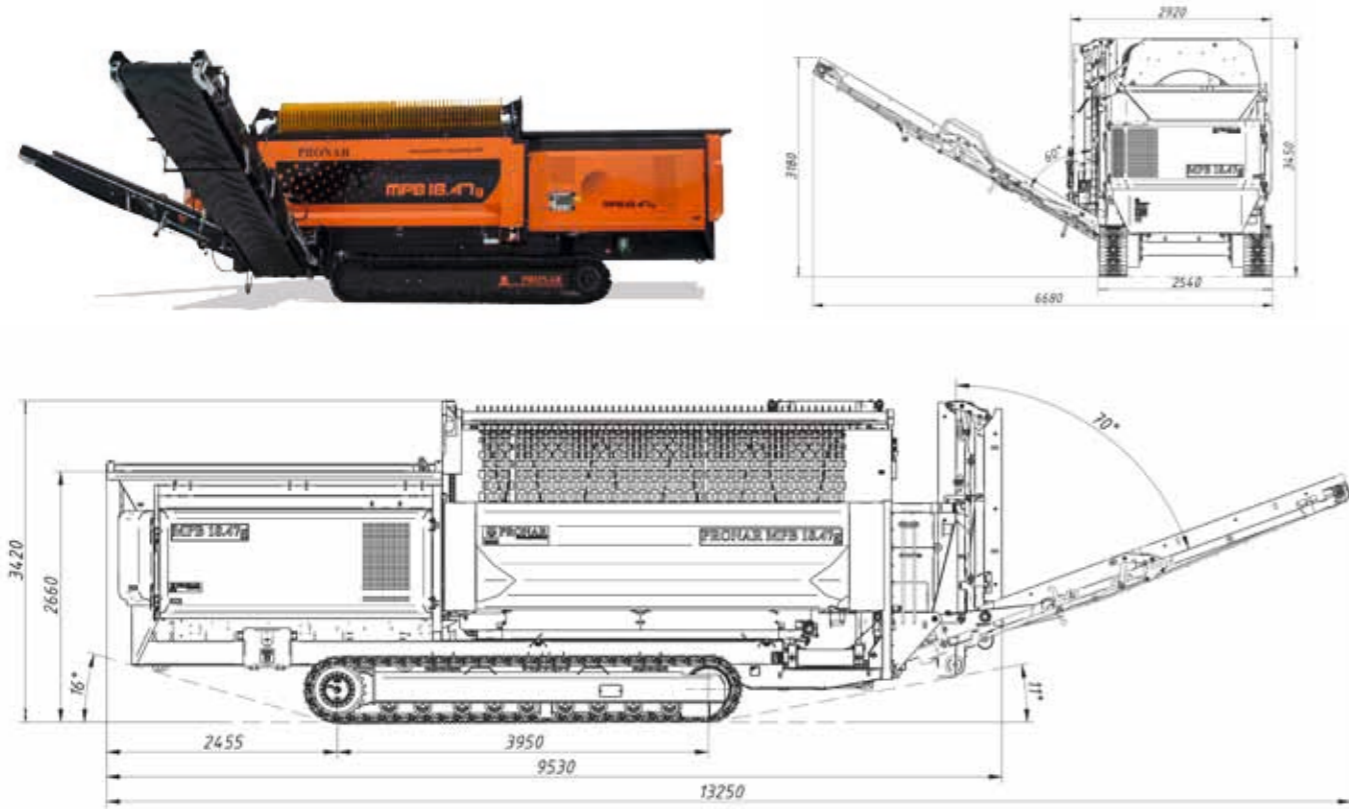
**Mobile trommel screen MPB 20.72**



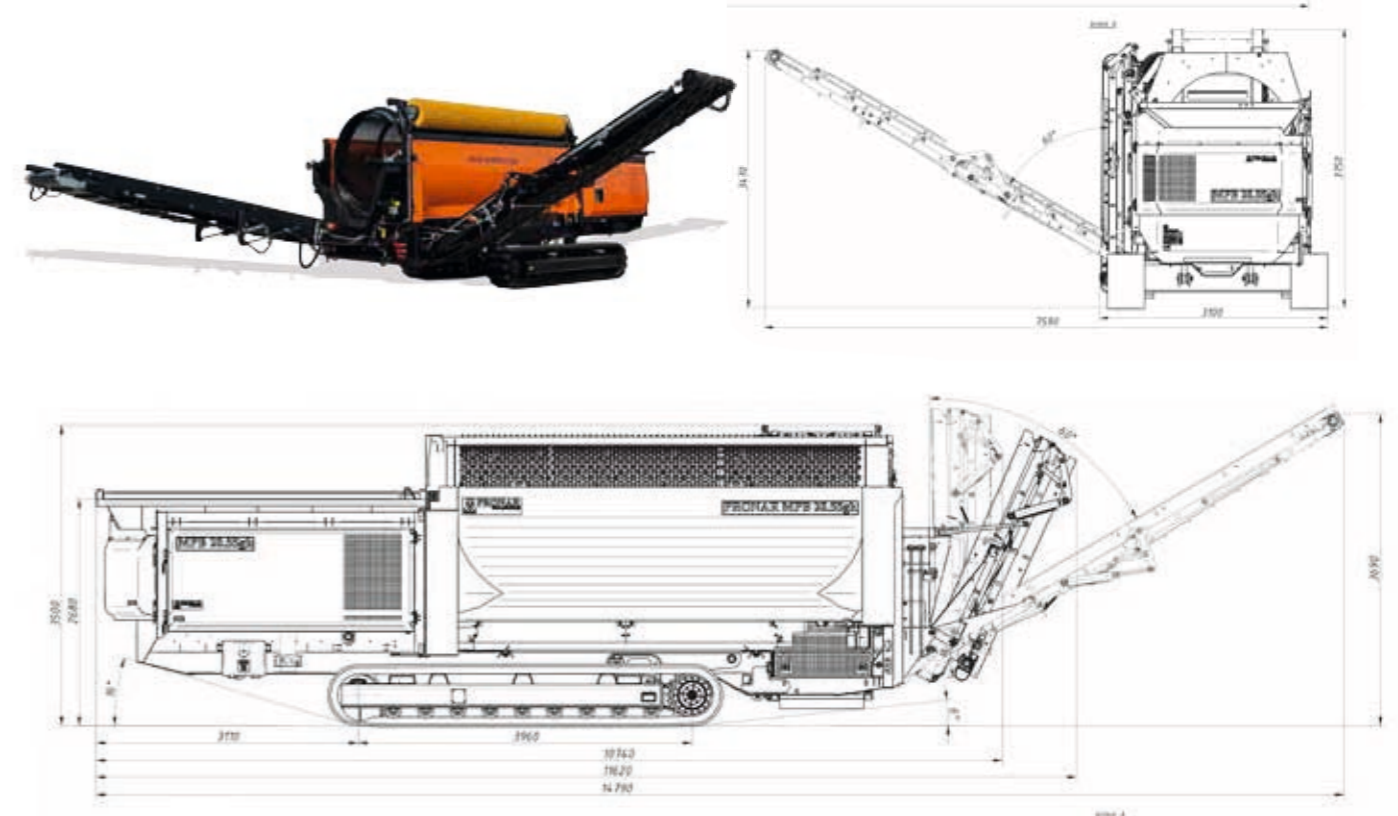




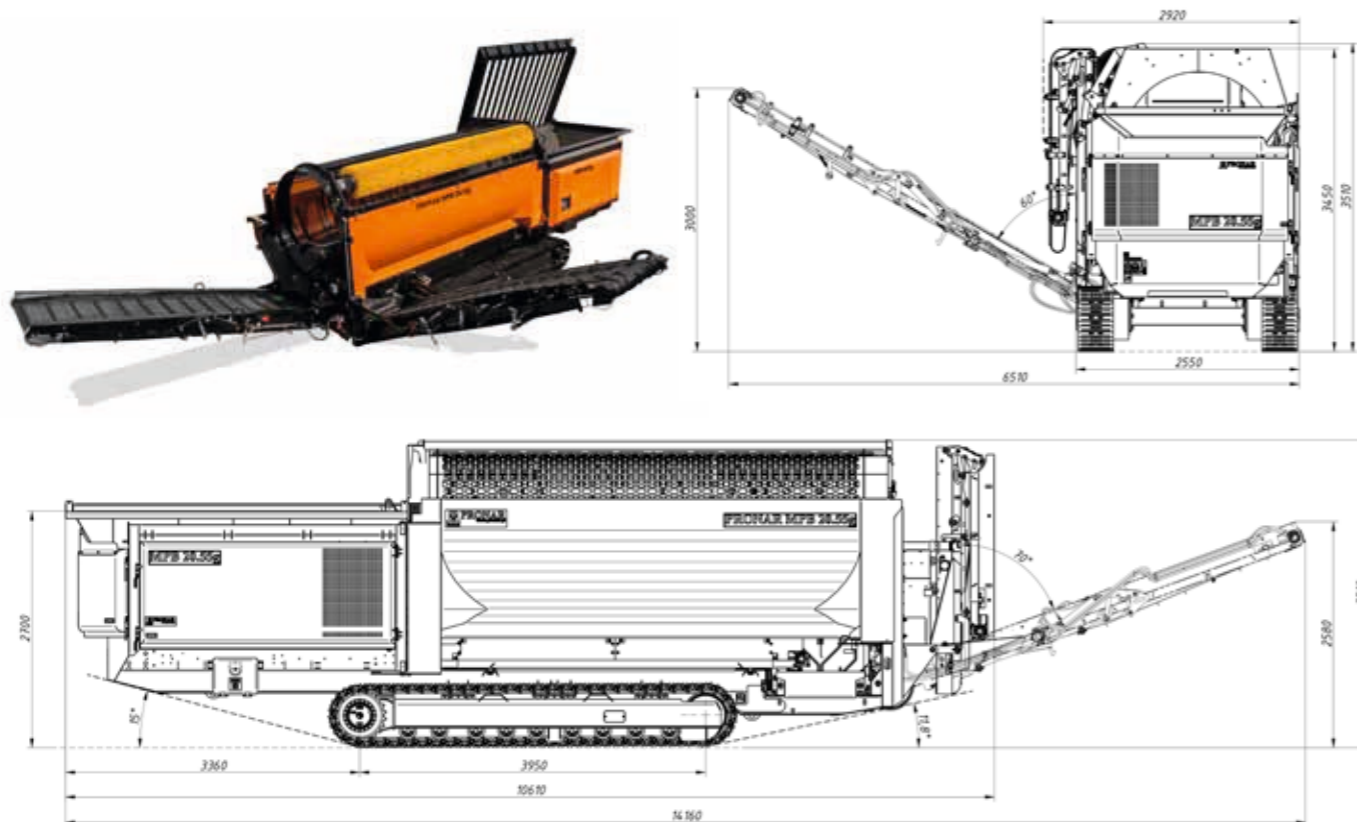
**Tracked mobile trommel screen MPB 18.47g**



**Tracked chassis mobile trommel screen with hydraulic system clearance regulation MPB 20.55gh**



**Tracked mobile trommel screen MPB 20.55g**



**Tracked mobile trommel screen MPB 20.72g**

