



THREE-AXLE CHASSIS

MRW 1.300

Maximum total weight [kg]	27000
Overall dimensions (length / width / height) [mm]	10 000 x 2500 x 3700

SHREDDING SYSTEM

MRW 1.300

Number of shafts [Pcs.]	1
Dimension of working shafts (length/diameter) [mm]	3000 / 970
Shaft speed [rpm]	27
Loading height [mm]	2850
Working chamber dimension (length/width) [mm]	3650 / 2200

DRIVE

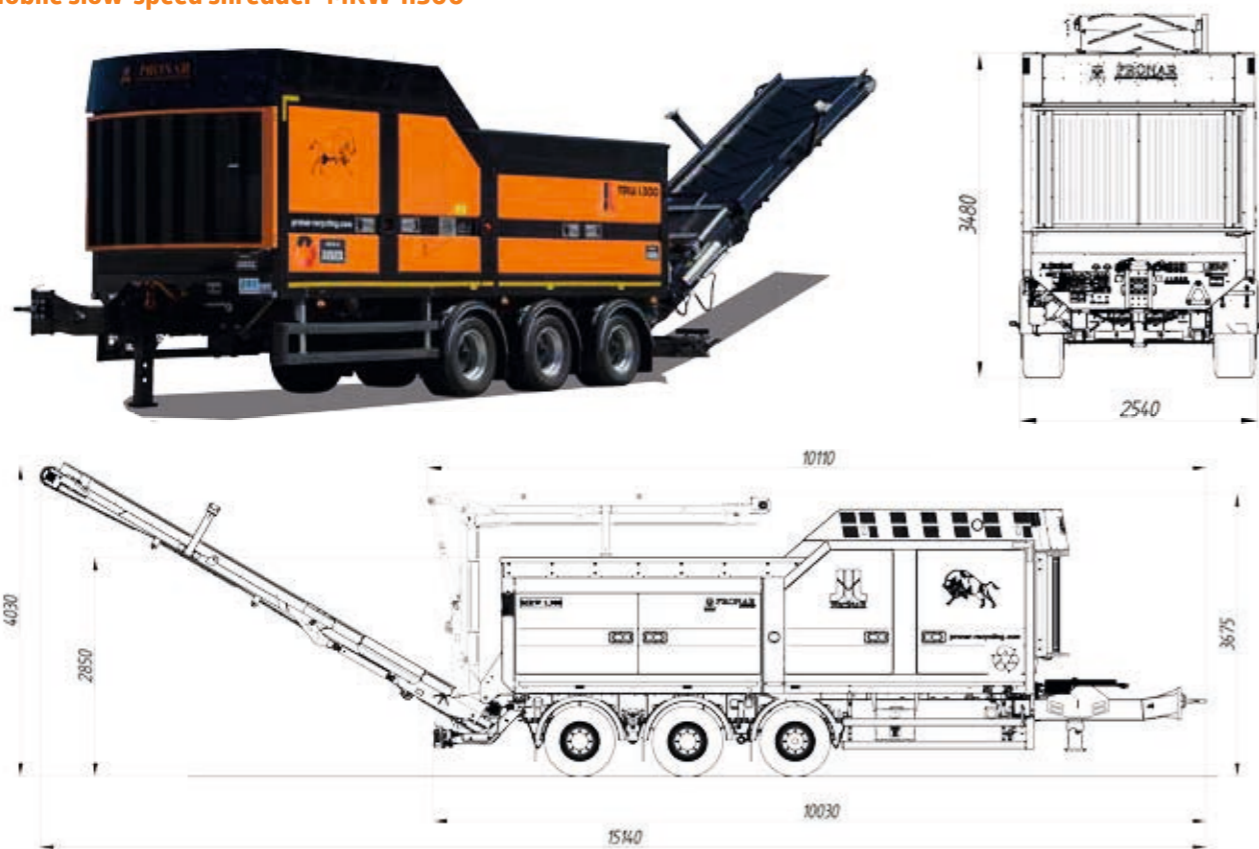
MRW 1.300

Diesel engine	Volvo Penta (Stage IV, Stage V, Tier 4 Final, 12,8 L, -MAX: 405 kW (550 HP) / 1900 rpm)
---------------	---

Features and Standard equipment:

- electric reverse
 - tilting bar system with counter knives
 - user-friendly knives replacement system
 - hydraulic front supporting leg
 - cleanfix system for engine cooler system
 - central lubrication system
 - remote control
 - large spacious doors with easy access to the engine and hydraulics
 - engine compartment lighting
 - stepless speed regulation of the conveyor
 - demountable bar with lights
 - ABS and traction control (permissible speed up to 100 km / h)
 - fuel tank with a capacity of 640l
- Additional and optional equipment:**
- ball coupling
 - magnetic separator
 - lightning of working areas
 - self crawler
 - air compressor

Mobile slow-speed shredder MRW 1.300



THREE-AXLE CHASSIS

MRS 1.53

Total weight [kg]	~ 24 000
Dimensions [length/width/height] [mm]	12000 x 2550 x 3750

WORKING PARAMETERS

MRS 1.53

Number of shafts [Pcs.]	1
Shredding shaft dimensions (length/diameter) [mm]	1750 / 1100
Rotation speed [rpm]	1000
Loading height [mm]	2450
Working chamber dimensions (length/width) [mm]	3650 / 2200

DIESEL ENGINE

MRS 1.53

Engines	Volvo Penta (Stage V, 12.8l, 13 L, -MAX: 389.81 kW (530 HP) / 1900 rpm)
---------	---

Features and Standard equipment:

- easy sieve exchange
 - easy knives replacement
 - hydraulic front supporting leg
 - automatic cleaning system of engine cooler - Cleanfix
 - central lubrication system
 - wireless remote control
 - large spacious doors with easy access to engine and hydraulics
 - engine compartment lighting
 - stepless conveyor speed regulation
 - demountable lighting beam
 - ABS and traction control (permissible speed up to 100 km / h)
 - fuel tank with a capacity of 700l
- Additional and optional equipment:**
- magnetic separator above the rear conveyor (overband) lowered / raised mechanically together with the conveyor
 - ball coupling for towing
 - lighting of work zones
 - working knives for various materials

Mobile High-Speed Shredder MRS 1.53

